

PCB Conveyor LP Förderband

- One or more segments and different length
Ein oder mehrere Segmente und unterschiedliche Längen
- Top cover hood as option
Optionale Haube
- Inspection mode
Inspektionsbetrieb
- Prepared as Workstation
Vorbereitet für Arbeitsplatzausstattung



PCB Dimension [mm] / LP-Abmaße		Option
Length	100 - 460	on request
Width	50 - 410	50 - 460
Thickness	0,8 - 3,0	
height top	50	
	70	
PCB -Edge	3	
Transport height	950 +/-45	

Machine Dimension [mm] / Masch.-Abmaße		Option
Length (front)	1000 - 1590	on request
Width (depth)	900 - 1100	
Height	960 (1075)	(hood option)
Weight	~ 100 kg	

Materials / Material		Option
Main Structure	Sheet metal	
Color	RAL 7035	
Transp. Sheet	ESD - Polycarbonate	(hood option)

Belt conveyor / Förderband		Option
DC-Motor	Speed-regulator	
	seperate in/out	
Belt	flat, antistatic	

PCB Capacity / LP Kapazität		Option
Qty. Conv.	1, 2 ...3	on request

Operator panel / Bedienung		Option
HMI panel	Push button	Display
	Light-Switch	

Supply and Connections / Anschlüsse		Option
Voltage	230V 1L	
	N PE 50Hz	
Power	70 W	
Interface	SMEMA	add. / others
Air pressure	No / Nein	0,5 MPa

Width adjustment / Breitenverstellung		Option
Belt	manual	automatic

PLC / SPS		Option
System	Siemens S7-xxx	Line PC Network

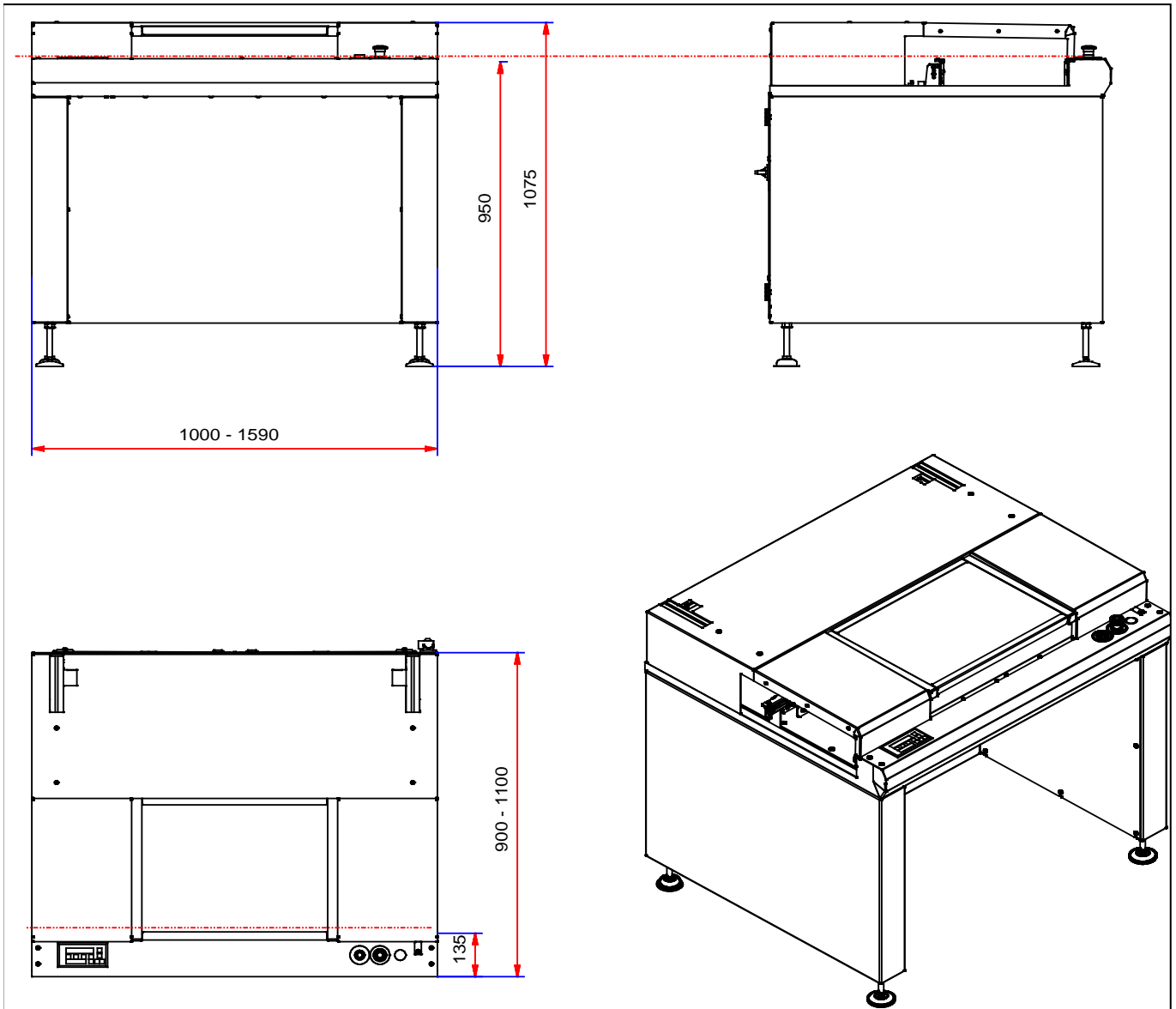
Miscellaneous / Sonstiges		Option
Buzzer / Ton	Yes / Ja	
Stopper	No / Nein	Pneumatic

Additional Options / zusätzliche Optionen:

- | | |
|--|---|
| <ul style="list-style-type: none"> - Transport flow direction from right to left - Additional Board sensor - Ultrasonic Board sensor - Signal light tower 1 lamp - Signal light tower 2 lamps - Frame with lamp and shelf plates | <ul style="list-style-type: none"> - add. belt segments - Automatic width adjustment for extension - Additional Safety / Interlock switch - Stopper - Reject unit / Aushubeinheit - Workstation equipment / Arbeitsplatzausstattung - VinCam (classification of AOI results or as MOI) |
|--|---|

Functional principle, layout dimensions Funktionsprinzip, Grundriss Abmaße

- PCB transport via belt conveyor
LP Transport mit Förderbändern



Workstation equipment (option)



Reject unit (option)



VinCam (option)