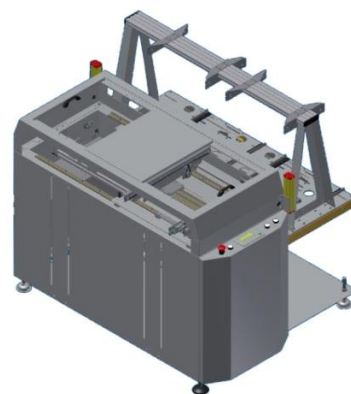


PCB Dual-Rack Unloader LP-Doppel-Ausgabestation, Entlader

- PCB from previous machine into rack
LP von vorheriger Maschine in ein Magazin
- Programmable Rack-Exchange height
Programmierbare Magazinwechselhöhe
- 8 free programmable rack parameter
8 freiprogrammierbare Magazinparameter
- Safety light curtain and switch frame
Sicherheitslichtgitter und -Schaltrahmen



PCB Dimension [mm] / LP-Abmaße		Option
Length	100 - 447	535
Width	60 - 410	50 - 460
Thickness	0,8 - 3,0	
height top	50	
" bottom	30	70
PCB -Edge	3	
Transport height	950 +/-45	

Machine Dimension [mm] / Masch.-Abmaße		Option
Length (front)	1150	
Width (depth)	1460	
Height	1150 + Rack	
Weight	250 kg	

Materials / Material		Option
Main Structure	Sheet metal	
Color	RAL 7035	
Transp. Sheet	ESD - Polycarbonate	

Belt conveyor / Förderband		Option
DC-Motor	Speed-regulator	
Belt	flat, antistatic	

Pusher / Ausschieber		Option
DC-Motor	Speed-regulator push	

Rack / Magazin		Option
Type [CAB]	701-704	others
Qty. Rack	2	3 .. 4

PCB Capacity / LP Kapazität		Option
Qty. Conv.	1	
Qty. Rack	up to 50	

Operator panel / Bedienung		Option
HMI panel	Display	Push button Light-Switch

Supply and Connections / Anschlüsse		Option
Voltage	230V 1L N PE 50Hz	
Power	200 W	
Interface	SMEMA	add. / others
Air pressure / Druckluft	0,5 MPa	Safety-Shutter

Rack axis / Magazinachse		Option
Timing belt / Zahnriemen	1 Rack axis. Freq.inverter AC-Motor Encoder Stepper	2 or more
Shuttle		

Width adjustment / Breitenverstellung		Option
Pusher / Ausschieber	manual	
Belt conveyor / Förderband	manual	automatic

PLC / SPS		Option
System	Siemens S7-xxx	Line PC Network

Miscellaneous / Sonstiges		Option
Buzzer / Ton	Yes / Ja	

Additional Options / zusätzliche Optionen:

- Transport flow direction from right to left
- Additional Board sensor
- Ultrasonic Board sensor
- Signal light tower 1 lamp
- Signal light tower 2 lamps
- minimal width 50mm (Pusher above conveyor)

- Conveyor extension
- PASS / FAIL sorting
- Automatic width adjustment for extension
- Additional safety/interlock switch
- Safety panel and safety switch rail
- Additional SMEMA Interface (dual lane)

- Functional principle, layout dimensions
Funktionsprinzip, Grundriss Abmaße

