

PCB Code Reader Conveyor / LP-Puffer Codelese-Band

- XY-Adjusting unit top/bottom (free space)
XY-Verstelleinheit oben/unten (Freiraum)
- Adjustable stopper and sensor
Einstellbarer Stopper und Sensor
- Hood and Front-Door
Haube und Tür vorn



PCB Dimension [mm] / LP-Abmaße		Option
Length	100 - 447	535
Width	50 - 410	50 - 460
Thickness	0,8 - 3,0	
height top	50	
" bottom	70	
PCB -Edge	3	
Transport height	950 +/-45	

Machine Dimension [mm] / Masch.-Abmaße		Option
Length (front)	600	
Width (depth)	760	
Height	1280	
Weight	110 kg	

Materials / Material		Option
Main Structure	Sheet metal	
Color	RAL 7035	
Transp. Sheet	ESD - Polycarbonate	

Belt conveyor / Förderband		Option
DC-Motor	Speed-regulator seperate in/out	
Belt	flat, antistatic	

PCB Capacity / LP Kapazität		Option
Qty. Conv.	1	

Operator panel / Bedienung		Option
HMI panel	Display	Push button Light-Switch

Supply and Connections / Anschlüsse		Option
Voltage	230V 1L N PE 50Hz	
Power	100 W	
Interface	SMEMA	add. / others
Air pressure	No / Nein	0,5 MPa

Width adjustment / Breitenverstellung		Option
Belt	manual	automatic

XY-Adjustment / XY-Verstellung		Option
	manual	automatic

PLC / SPS		Option
System	Siemens S7-xxx	Line PC Network

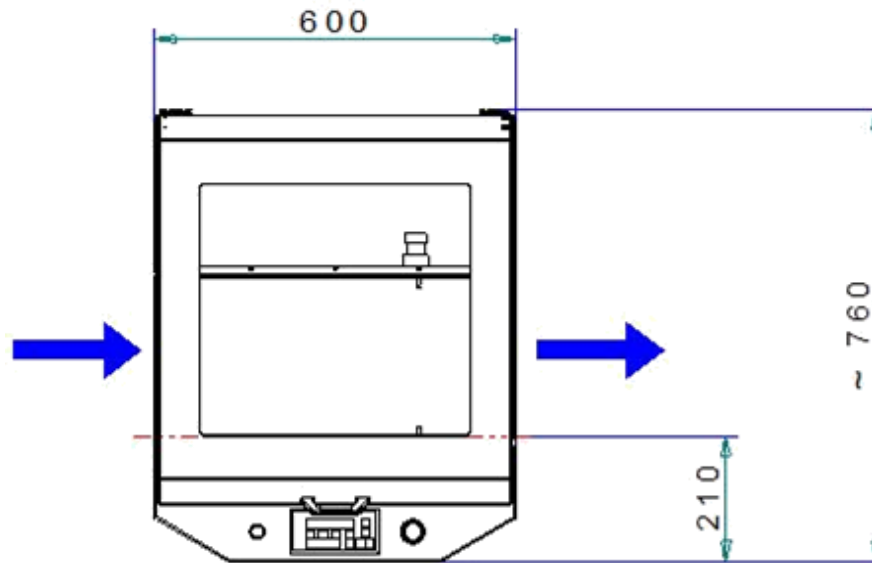
Miscellaneous / Sonstiges		Option
Buzzer / Ton	Yes / Ja	
Stopper	Pneumatic	

Additional Options / zusätzliche Optionen:

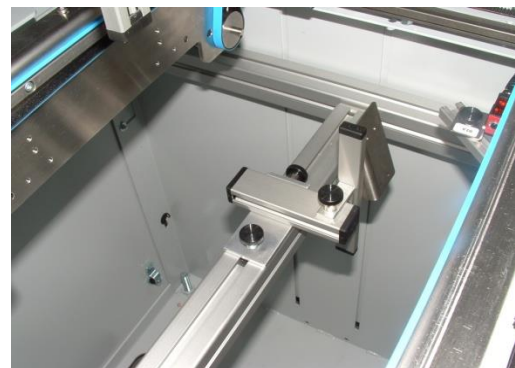
- | | |
|--|---|
| <ul style="list-style-type: none"> - Transport flow direction from right to left - Additional Board sensor - Ultrasonic Board sensor - Signal light tower 1 lamp - Signal light tower 2 lamps - Additional SMEMA Interface | <ul style="list-style-type: none"> - Conveyer extension - Machine extension - add. belt conveyer - Additional Safety / Interlock switch - Additionalbelt segment - Safety panels |
|--|---|

Functional principle, layout dimensions Funktionsprinzip, Grundriss Abmaße

- PCB transport via belt conveyor
- LP Transport mit Förderbändern



Upper Scanner-Bracket



Lower Scanner-Bracket